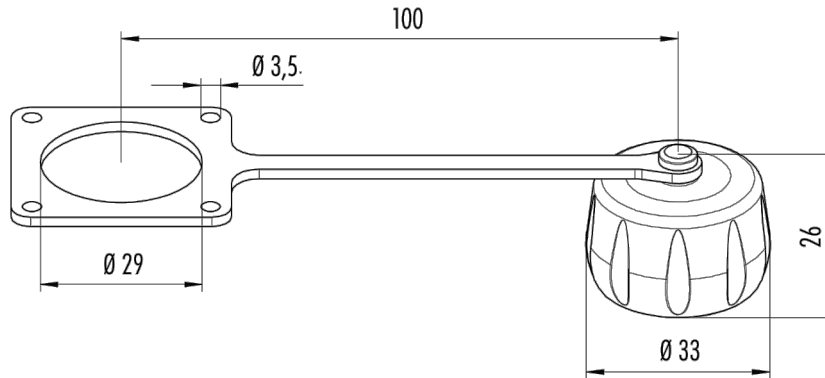


RoHS  
COMPLIANT



NOTE: FOR USE WITH PDI P/N: PD-HEC-MPC

REVISIONS	CHNG	CHK	APPR
REV	DATE	BY	DATE

TOLERANCE UNLESS OTHERWISE SPECIFIED	
X	± 1
X.X	± 0.4
X.XX	± 0.13
DRAWN BY	PB
DATE:	7/29/14
CHECK BY	
DATE:	
APPR BY	
DATE:	

<b>Power Dynamics, Inc.</b>	
Phone: 973 560-0019 Whippany, New Jersey Fax: 973 560-0076	
PART: PROTECTION CAP FOR HEC MALE PANEL CONNECTOR	
<b>PD-HEC-MPC-CAP</b>	
SHEET 1 of 1	
SIZE: A	ALL DIMENSIONS FOR REFERENCE ONLY DIMENSIONS ARE IN MILLIMETERS
SCALE: NTS	
REV:	